

Ophthalmic unit

IS-1 Series



PERFORMANCE
YOU CAN COUNT ON



IS-1 Series

The IS-1 series is Topcon's own development and production, and is the top of the range of ophthalmic units that Topcon has to offer. The IS-1 series distinguishes itself through quality, design, configuration variety and colour options, and therefore the high class solution for your modern practice environment.

IS-1

The developed ophthalmic unit IS-1 offers you a wide range of options to create a unit that full fill's all your needs on refraction, slit lamps and other instruments. The rotatable sliding table top accommodates up to two instruments and is available, as standard with elevation, to make both the practitioner and patient more comfortable. The touch screen control panel allows the user to control all movements such as chair and tabletop, dimming the room light and operating the near vision LED light. The IS-1 is available in both right and left versions as well as a wheelchair accessibility version. Not less than 10 colour combinations to choose from.



- » Two instrument rotatable sliding tabletop
 - » Standard tabletop elevation
 - » Touch screen control panel
 - » Integrated cable management system
 - » Small footprint
 - » Right & left version available
 - » Right & left wheelchair access version available
 - » Various options such as LED reading light & curtain control
 - » 10 colour combinations
 - » Cedar and Maple wood finishes
 - » Pc desk option
 - » Electro-brake for locking the tabletop (optional)
 - » Halogen up-light dimmable room illumination
-

IS-1D

The IS-1D is especially designed to accommodate three instruments on a rotating tabletop which comes as standard with two electro-brakes controlled by a footswitch. Similar to IS-1 the tabletop can be elevated. Curtain control is standard with the IS-1D.

The IS-1D is available in right and left versions as well as a wheelchair option. The cable management system enables clean installation of all instruments. You can choose a single trial lens drawer or a three drawers version which can optionally accommodate the power supply of the Topcon CV-5000 phoropter system. The dedicated pc-desk will complete the setup for all your needs.



- » Three instrument rotatable tabletop
 - » Touch screen control panel
 - » Small footprint
 - » Right & left versions available
 - » Powered elevation of table top
 - » Standard electro-brake for locking the tabletop
 - » Integrated cable management system
 - » Right & left wheelchair access version available
 - » Standard curtain control
-

IS-1 Series

IS-1P

Ophthalmology needs differ, and with this in mind Topcon has developed the IS-1P parallel unit. This unit is supplied with a powered linear sliding tabletop to accommodate two instruments. The VT-1L linear automated phoropter arm is synchronised with the elevation movement of the tabletop. The optional monitor support allows installation of a TFT monitor for user convenience. The IS-1P can also be supplied with an optional large desk to meets the requirements of a busy ophthalmic practice.



- » Two instrument electrical driven parallel sliding tabletop
 - » Right version available
 - » Touch screen control panel
 - » Automated linear phoropter arm VT-1L
 - » Powered elevation of table top
 - » Synchronized elevation of phoropter arm with tabletop
 - » Integrated cable management system
 - » Wheelchair accessibility (right version)
 - » Various options such as monitor support & curtain control
 - » Large IS-1P pc-desk
 - » OC-14 fully reclinable ophthalmic chair available
-

IS-1 Series furniture

The IS-1, IS-1D and IS-1P can be supplied with optional furniture in the same colour setting as the ophthalmic unit.

Trial lens drawer

The trial lens drawer consists of a single drawer which can be placed beside the unit or next to the chair. At the same time it is a storage platform for the IS-1 series touch screen control panel. The perfect solution to accommodate your trial lens set.



Power supply drawer

The power supply drawer consist of three drawers, and can optionally accommodate the power supply unit of the Topcon CV-5000 phoropter.

IS-1 / IS-1D PC-Desk

The pc-desk fits seamlessly to the IS-1 and IS-1D unit. The desk support is a ventilated storage compartment for the pc.



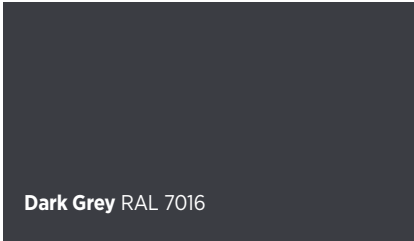
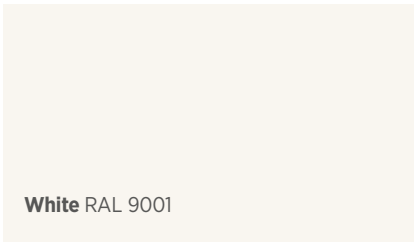
IS-1P dedicated PC-desk

The IS-1P pc desk is a large desk to fit exactly with the IS-1P unit. There are various setups possible, such as combinations of IS-1P drawers with trial lens drawer or with pc-storage compartment

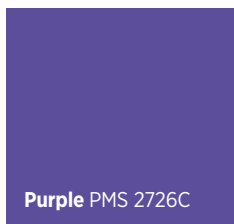
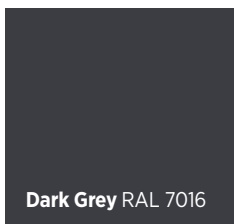
IS-1 Series colours

IS-1 series colour choices

The whole IS-1 ophthalmic unit series can be composed out of no less than 10 colour combinations. The basic colour of the unit, pole and tabletop can be modern white or dark grey.



Five colours are available for the finishing set of the unit, the trial lens drawer, the power supply drawer, pc-compartment and the IS-1P drawers. Among these options there are two wood finishing's available.



Colour images may vary from original

IS-1 Series colours

Colour combinations

The variety of colour combinations for the IS-1 series gives you the opportunity to fit this unit in any modern optician shop or ophthalmic practice. The Cedar and Maple wood finishing gives the unit that luxury appearance that gives your practice just that finishing touch.

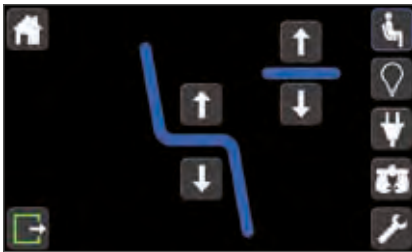


IS-1 Series standard accessories

Touch screen control panel

The IS-1 series touch screen is a satellite panel which can be placed on any flat surface of your choice. It controls various functions.

- » Chair / tabletop motion
- » Up-light & room illumination
- » Reading LED light
- » Auxiliary control
- » Linear VT-1L phoropter arm
- » Curtain control
- » Statistics
- » Settings menu



Chair and table up/down motion. Reset chair and table.



Dimming of room light and reading light by swiping the touch screen. Control of open and close of the curtains.



VT-1L phoropter control, up/down movement of the VT-1L phoropter arm.

Safety-stop

The safety-stop guarantees patients safety when operating the elevation of tabletop or chair. The IS-1P is supplied with an extra safety stop for the linear movement of the tabletop.



Room illumination

The dimmable halogen up-lighter illuminates the room indirectly and can be dimmed by the touch screen control panel.

Chinrest support

The IS-1 and IS-1P tabletop is equipped with a tabletop fixed chinrest support, but can be changed with an optional sliding chinrest support, in case you want to operate two instruments with the same chinrest.

Cable management

The cable management system keeps the IS-1 series design smooth and contemporary. All cables of instruments installed can invisibly be guided through the tabletop cable management system.



Wheelchair accessibility

Wheelchair accessibility

One of the features of the IS-1 series is that the IS-1 and IS-1D are also available as wheelchair accessible ophthalmic stand in both right and left versions. The IS-1P is available in a right wheelchair accessible version. The small footprint of the standalone ophthalmic unit allows the user to easily position any wheelchair type for patients' comfort during the examination.



In this configuration the ophthalmic chair such as OC- 10/12 can be moved aside with the use of its own baseplate on wheels in order to make the unit accessible for wheelchair patients.

IS-1 series optional accessories



LED near vision lamp

The adjustable LED reading lamp provides crisp white illumination which supports reading examinations.

Potentiometer

The optional potentiometer based on the tabletop can be used for regulating illumination dimming of any instrument which does not have illumination dimming on board.



Projector support

The dedicated IS-1 series projector support allows mounting of Topcon chart projectors.

Monitor support

The dedicated IS-1 series monitor support allows the user to mount a TFT screen for user convenience.



IS-1P Optional phoropter arm

VT-80 Phoropter arm

The VT-80 phoropter arm enables mounting of most available phoropter heads. The mechanical lock ensures fixed positioning of the phoropter in front of the patient.



VT-81 Phoropter arm

The VT-81 phoropter arm is provided with a handle for easy manoeuvring of the phoropter. A spring loaded counter balance ensures positioning of the phoropter.

VT-1L Powered linear phoropter arm

The VT-1L is a linear phoropter arm which is specially designed to accommodate the CV-5000 computerized phoropter. The cable management kit provides a clean installation. The automatic movement of the VT-1L is controlled by using the touch screen control panel.



Up/down movement

For VT-1L an electrical up/down movement is available which can be controlled by the touch screen control panel. This up/down movement can be synchronised with the tabletop elevation.

IS-1 series optional accessories

OC-10

The OC-10 patient chair is designed to provide a comfortable seat for patients during examination. The standard arm rests are foldable and the chair can rotate by 120°. An optional footrest is available to enhance patient's comfort. The up-down stroke of the chair has increased in order to allow easy access and usage for patients.



Footrest optional

OC-12

The OC-12 is similar to OC-10 without armrest.



Footrest optional

OC-14

The OC-14 patient chair comes with all options, such as full leather-look upholstery, reclinable armrest, horizontal seat displacement and a large footrest.



IS-1P Optional phoropter arm

The leather look of the fabric and the double stitching in opposing colours makes the appearance of the ophthalmic OC chairs modern and professional. The armrests are made of aluminium and provide support for the patient. To complement the basic colours of the IS-1 series the OC-10 /12 and 14 are available in black and white.



Double stitching in opposing colour



Leather look

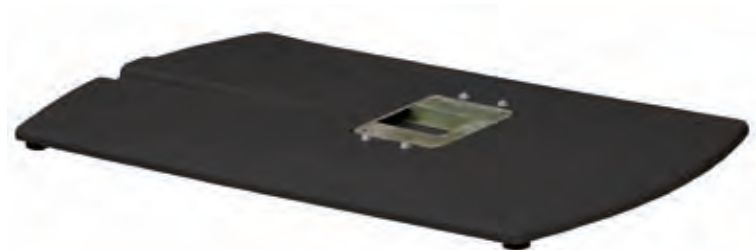


Aluminium luxury armrest

OC-10 / 12 / 14 Optional accessories



Footrest for OC-10 /12



OC-10 / 12 Baseplate without wheels, also available with wheels
OC-14 Baseplate without wheels

Forward / Backward replacement system for OC-10/12/14

The optional Forward / Backward replacement system for the ophthalmic chair allows the user to move the chair back and forward with a stroke of 160mm. This automated movement can be operated individually through the IS-1 touch screen control panel but is also synchronized with the automated movement of the VT-1L phoropter arm and the elevation of the tabletop. With one press on the button of the control panel all positions are reset .

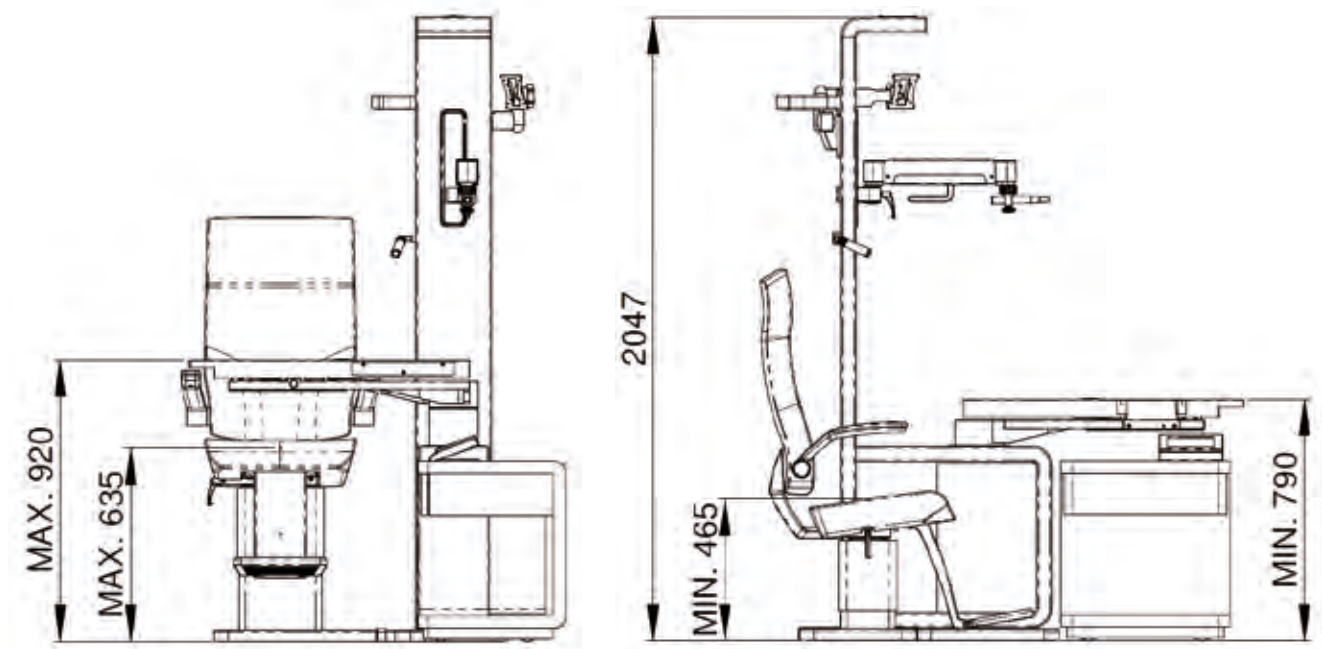


IS-1 series Specifications

OC specifications

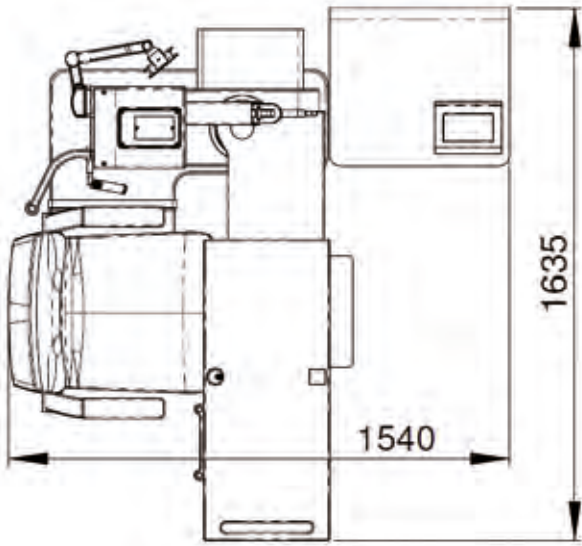
| | OC-10 | OC-12 | OC-14 |
|--------------------------------|-------------------|----------|--------------|
| Reclining (Full) | | No | Yes |
| Rotation | | 120° | 76° |
| Foldable armrests | Yes | No | Yes |
| Horizontal seat displacement | | optional | standard |
| Seat: max. / min. height in mm | | 465-636 | 490-660 |
| Footrest | | optional | standard |
| Base plate | | possible | |
| Base plate with wheels | | possible | not possible |
| Maximum load | | 175 Kg | |
| Net weight | 39 Kg | 37Kg | 54 Kg |
| Max. power consumption | | 450W | 700W |
| Power | 230 V AC/50-60 Hz | | |
| Electrical classification | Class I, Type B | | |

IS-1 & IS-1D dimensions

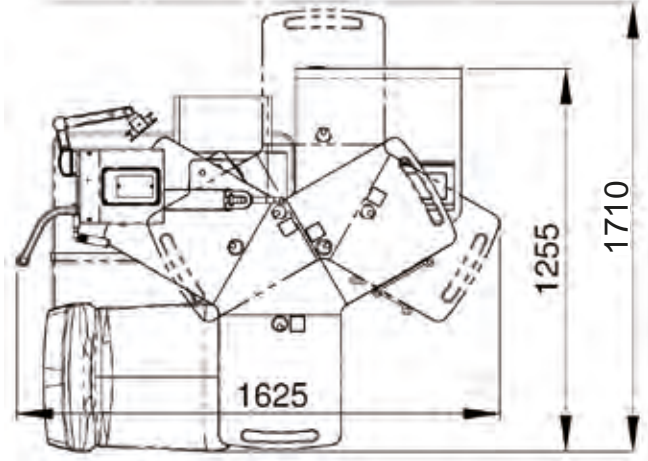


IS-1 series Specifications

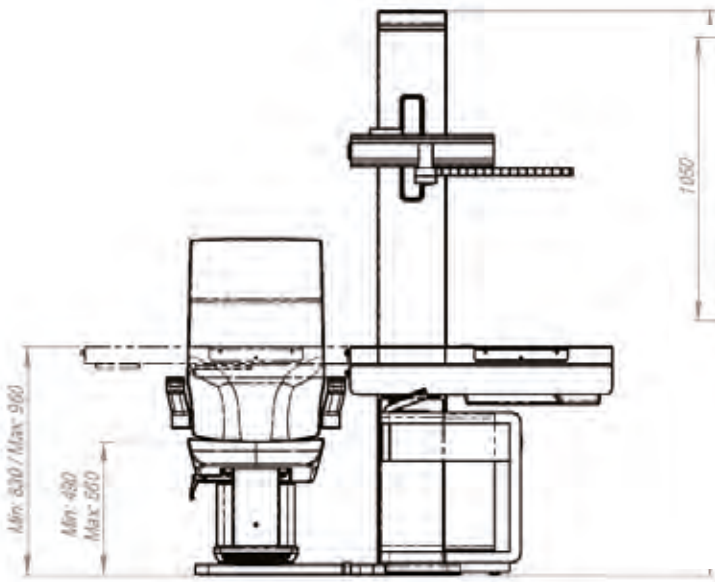
IS-1 footprint



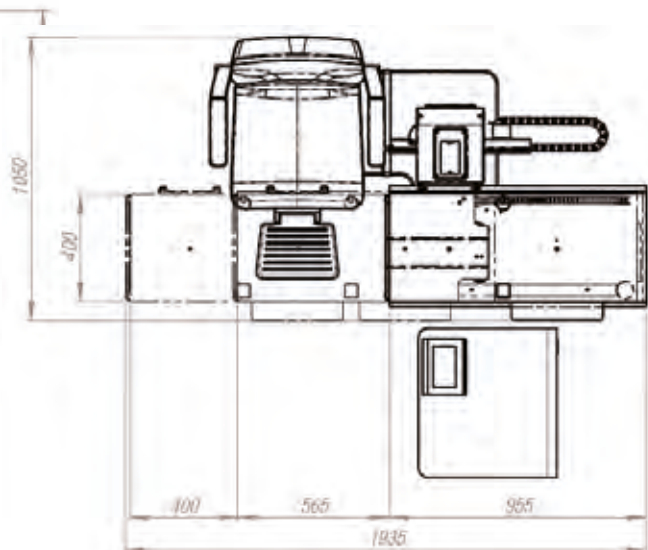
IS-1D footprint



IS-1P dimensions



IS-1P footprint



Specifications

| | IS-1 | IS-1D | IS-1P |
|---|----------------------------------|----------------|----------------|
| Tabletop | 2 instruments | 3 instruments | 2 instruments |
| Maximum load on tabletop | 40 Kg | | |
| Touch screen control panel | Yes | | |
| Power on tabletop | 0-12V / 5A or 15V / 5A | | |
| Power near vision lamp | 3W LED | | |
| Power of Room illumination | 0-240V / Max. 100W | | |
| Safety stop | Yes | | |
| Minimum installation dimensions | 1540 x 1635 mm | 1625 x 1500 mm | 1540 x 1935 mm |
| Stroke elevated tabletop | 790 - 920 mm | | 830 x 960 mm |
| Dimensions trial lens drawer | 560(w) x 483(d) x 590(h) mm | | |
| Inside dimension trial lens drawer | 460(w) x 350(d) x 70(h) mm | | |
| Dimensions PC-desk IS-1/1D | 1400(w) x 600(d) x 740(h) mm | | |
| Dimensions PC -desk IS-1P | 1800(w) x 845/600(d) x 740(h) mm | | |
| Total power supply | 220-240V / 50-60 Hz | | |
| Maximum power consumption | 1.000 W | | |
| Free of potential contacts | Max 240 V / 5A | | |
| Electrical classification | Class I, Type B | | |
| Electric protection degree | IP21 | | |
| Electronic soft start system | Yes | | |
| Net weight | 192 Kg | 196 Kg | 195 Kg |

IMPORTANT

Subject to change in design and/or specifications without advanced notice.

In order to obtain the best results with this instrument, please be sure to review all user instructions prior to operation.



Topcon Europe Medical B.V.
Essebaan 11; 2908 LJ Capelle a/d IJssel; P.O. Box 145;
2900 AC Capelle a/d IJssel; The Netherlands
T: +31-(0)10-4585077; F: +31-(0)10-4585045
medical@topcon.eu; www.topcon-medical.eu

Topcon Danmark
Praestemarksvej 25; 4000 Roskilde, Danmark
T: +45-46-327500; F: +45-46-327555
info@topcon.dk; www.topcon.dk

Topcon Scandinavia A.B.
Neongatan 2; P.O. Box 25; 43151 Mölndal, Sweden
T: +46-(0)31-7109200; F: +46-(0)31-7109249
medical@topcon.se; www.topcon.se

Topcon España S.A.
Frederic Mompou, 4;
08960 Sant Just Desvern; Barcelona, Spain
T: +34-93-4734057; F: +34-93-4733932
medica@topcon.es; www.topcon.es

Topcon Italy
Viale dell' Industria 60;
20037 Paderno Dugnano, (MI) Italy
T: +39-(0)1-49212323; F: +33-(0)1-49212324
www.topcon.it

Topcon France
BAT AI; 3 route de la révolte, 93206 Saint Denis Cedex
T: +33-(0)1-49212323; F: +33-(0)1-49212324
topcon@topcon.fr; www.topcon-medical.fr

Topcon Deutschland Medical GmbH
Hanns-Martin-Schleyer Strasse 41;
D-47877 Willich, Germany
T: (+49) 2154-885-0; F: (+49) 2154-885-177
Info@topcon-medical.de; www.topcon-medical.de

Topcon Polska Sp. z o.o.
ul. Warszawska 23; 42-470 Siewierz; Poland
T: +48-(0)32-670-50-45; F: +48-(0)32-671-34-05
www.topcon-polska.pl

Topcon (Great Britain) Ltd.
Topcon House; Kennet Side; Bone Lane; Newbury
Berkshire RG14 5PX; United Kingdom
T: +44-(0)1635-551120; F: +44-(0)1635-551170
medical@topcon.co.uk; www.topcon.co.uk

Topcon Ireland
Unit 276, Blanchardstown; Corporate Park 2
Ballycoolin; Dublin 15, Ireland
T: +353-18975900; F: +353-18293915
medical@topcon.ie; www.topcon.ie